

1 Million Candle Power Rechargeable Spotlight



USER'S MANUAL & WARRANTY INFORMATION

IMPORTANT SAFETY INFORMATION

Please read this manual carefully before use and retain
for future reference.

RoHS
COMPLIANT
2002/95/EC



FEATURES AND SPECIFICATION:

Rubberized lens protector and grip

Locking trigger switch for safety

Built-in 6-Volt 4 Ah sealed lead acid rechargeable battery

6-Volt H3 Halogen bulb (Maximum 25 watt)

AC Adaptor 230V 50Hz

12-Volt DC charger

Figure 1



OPERATION:

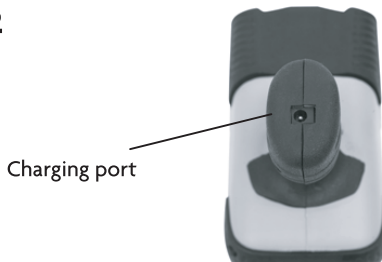
To turn the spotlight on, squeeze the trigger switch (see Figure 1).

To turn the spotlight off, release the trigger switch.

To lock the trigger switch for continuous operation, squeeze the trigger switch and firmly slide the trigger switch lock (see Figure 1); the spotlight will stay on until the lock is released.

Spotlight will provide up to approximately 25 minutes of continuous operation on a full charge.

Figure 2



FOLLOW THESE INSTRUCTIONS FOR CHARGING:

Risk of fire and injury to persons. Only using the charger provided. Do not attempt to use different charger or power adaptor. Using other charger or power adaptor may damage the unit or injury to person.

Risk of fire and injury to persons. Using the battery charger provided to charge the battery of the spot light. Other types of batteries may burst causing injury to persons and damage.



Charging with AC adaptor –

Make sure all lamp and connected appliances are turned OFF.

Plug the AC adaptor into the charging port (see Figure 2) located on the bottom of the pistol grip, and then plug into a standard AC wall outlet. Red LED indicator will light indicating battery inside of spotlight is being charged, allow approximately 10-15 hours. Do not overcharge the spotlight for more than 24 hours.



Charging with 12-volt DC charger –

Make sure all lamp and connected appliances are turned OFF.

Plug the DC fused adapter into the charging port (see Figure 2) located on the bottom of the pistol grip, and then plug insert the cigarette lighter plug into the cigarette lighter socket of your vehicle or other 12V DC power source. Red LED indicator will light indicating battery inside of spotlight is being charged, allow approximately 6-8 hours charging time if the engine is running. Do not overcharge the spotlight for more than 9 hours.

Figure 3

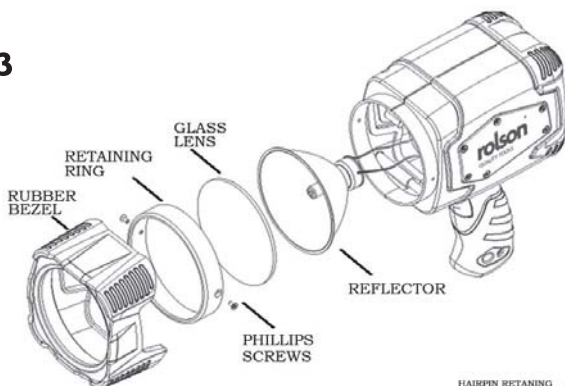
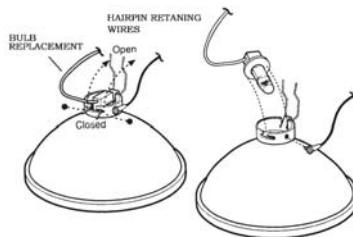


Figure 4



BULB REPLACEMENT:

For bulb replacement you will need a small Phillips screwdriver(Not provided).

To replace the H3 6-Volt Halogen Spotlight bulb (See Figure 3 and Figure 4):

1. Disconnect the Spotlight from any charging/power source and lock the spotlight trigger switch OFF.
2. Remove the rubber bezel from pulling it away from the spotlight lens.
3. Remove the two Phillips-head screws that hold the retaining ring to the spotlight body.
4. Pull off the retaining ring and set it aside.
5. Carefully remove the glass lens and reflector assembly.
6. Disconnect the bulb's center conductor wire from its connecting wire (see figure 4 for bulb removal details).
7. Remove the retaining spring of the bulb from the bottom of the reflector.
8. Using the screwdriver, loosen the retaining screw to remove the bulb from the reflector.
9. Gently pull out the bulb unit and replace with a new H3 6-Volt Halogen Bulb.
10. Insert the replacement bulb into the reflector's bottom.
11. Put back and secure the retaining spring.
12. Connect the bulb power wire to the red power wire.
13. Reverse the above procedure to re-assemble the spotlight.

NOTE: When handling a new halogen bulb, do not touch the glass portion of the bulb. Natural oils from your hands can cause the bulb to fail. If necessary, clean the bulb with alcohol or a liquid window cleaner.

CAUTION & WARNINGS:

1. **DO NOT** leave the spotlight in total discharged state for an extended period of time. Keep battery power topped up. Battery needs to be charged within six months after production date.
2. Turn the power switch off and recharge the spotlight as soon as possible after light becomes dim.
3. **DO NOT** operate the spotlight while charging. This will permanently damage the unit.
4. **DO NOT** touch lens or block lens area during operation.
5. **DO NOT** place the unit on surfaces that may be damaged from heat. Allow the unit to cool before storing.
6. **DO NOT** shine into eyes of humans or animals. Please keep the spotlight from the objects at least 300 mm distance. **DO NOT** shine the same object for a long time in short distance.
7. Keep children away from spotlight. This is not a toy!
8. Unit is not waterproof or water-resistant.
9. **DO NOT** expose battery to fire or intense heat as it may explode. Battery contains acid.
10. **DO NOT** drop or throw spotlight. It contains glass and a sealed lead acid battery.
11. If case should become cracked, dispose of immediately taking adequate safety precautions to prevent injuries or damage to persons or property.
12. **DO NOT place facing down on any fabric**
13. **DO NOT place facing down on car seats or carpets**

BATTERY DISPOSAL:

Please note that your spotlight contains a non-spillable sealed lead-acid battery which must be recycled or disposed of properly. Please contact your local waste management authority for disposal locations in your area.

