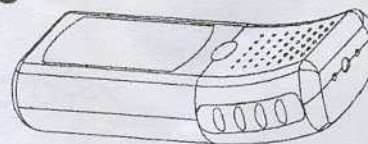


## 30 LED Rechargeable Work Light Owner's Instructions

Save These Instructions! Read And Understand All Instructions Before Attempting To Operate This Worklight!



### Safety Precaution

Caution: To Help Prevent Personal Injury

- \* Always Wear Appropriate Safety Equipment And Clothing When Using This Product. Study, Understand And Follow All Instructions Provided With This Product.
- \* Always Wear ANSI Approved Goggles When Using This Product.
- \* Always Select The Correct Accessories Of The Correct Size And Design For The Job That You Are Attempting To Perform.
- \* Always Work In A Clean, safe, well-lit, organized And Adequately Equipped Area.
- \* Do Not Begin Repairs Without Assurance That Vehicle Is In Secure Position, and Will Not Move During Repair.

### Warning

This Light Uses A 7.2 Volt DC Ni-Mh Battery Pack. To Reduce The Risk Of Fire, electric Shock Or Other Injury To Persons:

- \* Not For Use In Hazardous Locations Keep Out Of The Reach Of Children
- \* Do Not Use The Tool Outside Of The Design Intent. Never Modify The Tool For Any Other Purpose Or For Its Use.
- \* Never Expose To Water, Rain, Snow Or Mist.
- \* Do Not Operate Or Charge The Light In The Presence Of Flammable Gases Or Liquids.
- \* Charge The Battery With Room Temperature Between 50° F To 105° F (10°c-42°c).
- \* Only Use 240 Volt Outlet For The AC Power Cord Or 12 Volt Power Outlet For The DC Cord. Do Not Use A Generator, step Up Transformer Or Other External Power Supply To Charge The Battery.
- \* Keep Charging Platform Away From Materials That May Burn.
- \* Do Not Dispose Of Dead Battery Packs In A Fire Or By Burning.
- \* Do Not Recharge In Direct Sunlight.
- \* Keep Away From Excessive Heat Or Flame.
- \* Do Not Charge With Extension Cord Near Water Or Where Water May Accumulate.
- \* Keep At Least 10 Ft. from Pools And Spas While Using The 240V Cord.
- \* Keep Plugs And Receptacles Dry.
- \* Do Not Attempt To Use If Any Part Of The Unit, Light, Clips, Adapter Or Cord Is Damaged. Replace Immediately.

- \* Do Not Use Extension Cord.
- \* Do Not Pull Cord To Unplug, Pull Or Plug.

### Product Information

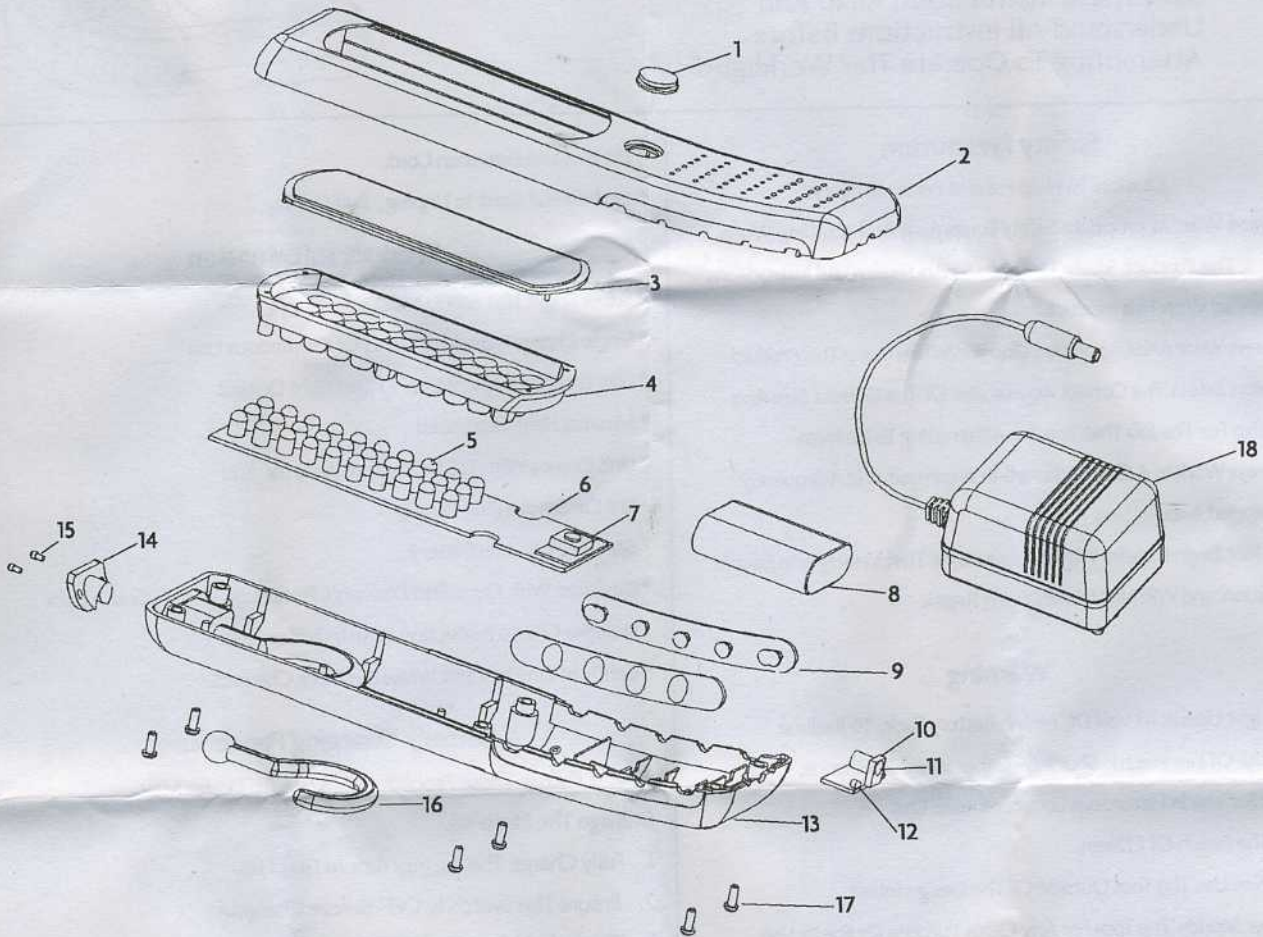
- \* Super Bright LED 12000 MCD
- \* Single Charge Provides 5 Hours Of Continuous Use
- \* Low Energy Consumption – High Light Output
- \* Minimal Heat Generated
- \* Unit Comes With 12C DC Output Adaptor And 12V Car Smoke Plug Output
- \* 6AAA 7.2V Ni-MH Battery
- \* Designed With Complete Discharge Protection With Indicator Light
- \* Includes Charge Protection With Indicator Light
- \* Can Turn On The Light While It Is Being Charged.

### Battery Charging Procedures

Always Follow These Procedures. Failure To Do So May Damage The Batteries.

1. Fully Charge The Battery Before First Use.
2. Ensure The Switch Is 'OFF' Before Charging.
3. This Light Is Designed With Complete Discharge Protection. When The Top LED Indicator Light Turns Red The Discharge Protection Has Begun And Will Be In This Phase For Approximately 30 Minutes. Light Needs To Be Re-Charged During This Period. The LED Indicator At The Top Of The Light Will Remain Red Until Light Is Charged. If Recharging Does Not Begin Within This Time, Light Will Shut Off To Beging Protection.
4. Once The Light Is Fully Charged, The Bottom LED Light Will Turn Red To Green. The Charge Protection Has Begun And The Light Will Be In Float Charge State. Full Charge Time Is Approximately 3 Hours.
7. It Is Recommended To Recharge At Least Every Six Months To Maintain The Battery In Good Condition.
8. Charge The Battery If The Light Is To Be Stored For An Extended Period Of Time.
9. Only Use The Supplied AC/DC Base Charger Unit.
10. The Batteries Cannot Be Replaced.
11. Do Not Allow Anything To Cover The Lamp Or Charging Platform During Charging.
12. Do Not Charge The Light That Is Hot. Allow The Light To Cool Down Before Recharging It.

## Parts Breakdown



## Parts Breakdown List

Part No.	Description	Quantity	Part No.	Description	Quantity
1	Pushbutton Cover	1pc	11	Charging Indicator	1pc
2	Front Cover	1pc	12	Discharging Indicator	1pc
3	Focusing Lens	1pc	13	Back Cover	1pc
4	Reflector	1pc	14	Hook Holder	1pc
5	White LED	30pc	15	M2x5 Screw	20pc
6	Circuit Board	1pc	16	Hook	1pc
7	Pushbutton Switch	1pc	17	M3x8 Screw	6pc
8	Battery Pack	1pc	18	AC-DC Adaptor	1pc
9	Rubber Handle Piece	2pc			
10	Charging Socket	1pc			