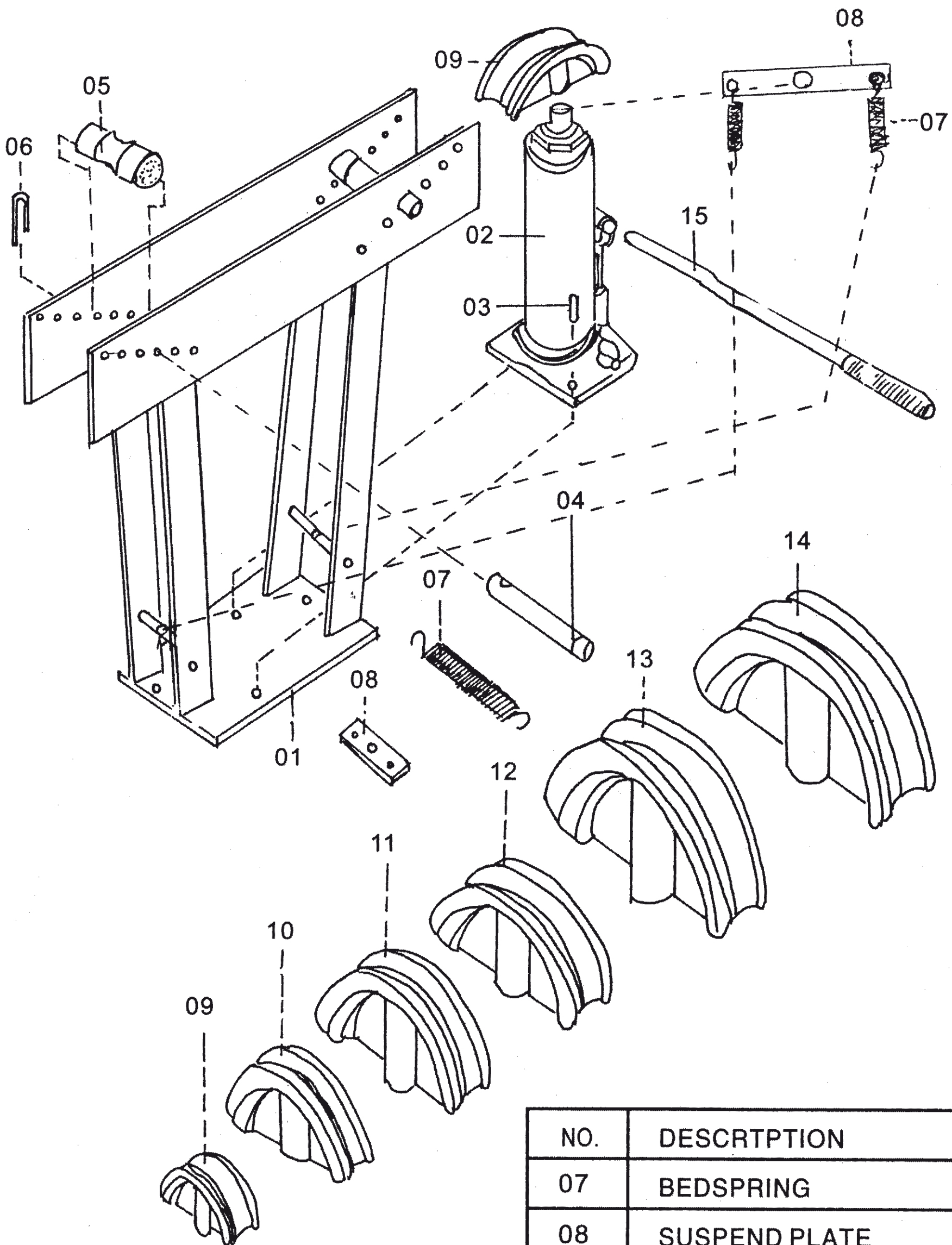


# HYDRAULIC PIPE BENDER 12 TON



NO.	DESCRTPTION	QTY
01	FRAME	1
02	12 TON LONG RAM JACK	1
03	SCREW NAIL	2
04	BUSHING	2
05	AXIS	2
06	TACHE	2

NO.	DESCRTPTION	QTY
07	BEDSPRING	2
08	SUSPEND PLATE	1
09	1/2" BENDING DIE	1
10	3/4" BENDING DIE	1
11	1" BENDING DIE	1
12	1-1/4" BENDING DIE	1
13	1-1/2" BENDING DIE	1
14	2" BENDING DIE	1
15	JACK HANDLE	1